

# Seamless Integration with CATIA® V5!



VERICUT offers direct integration with CATIA V5!

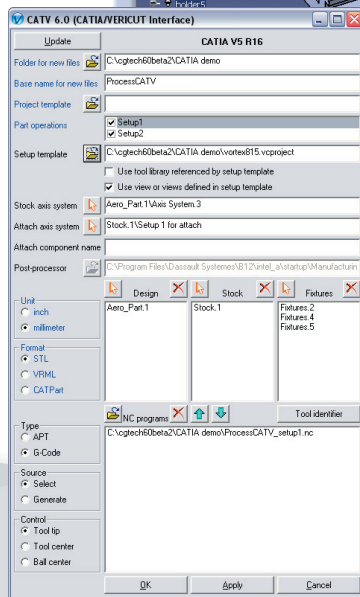
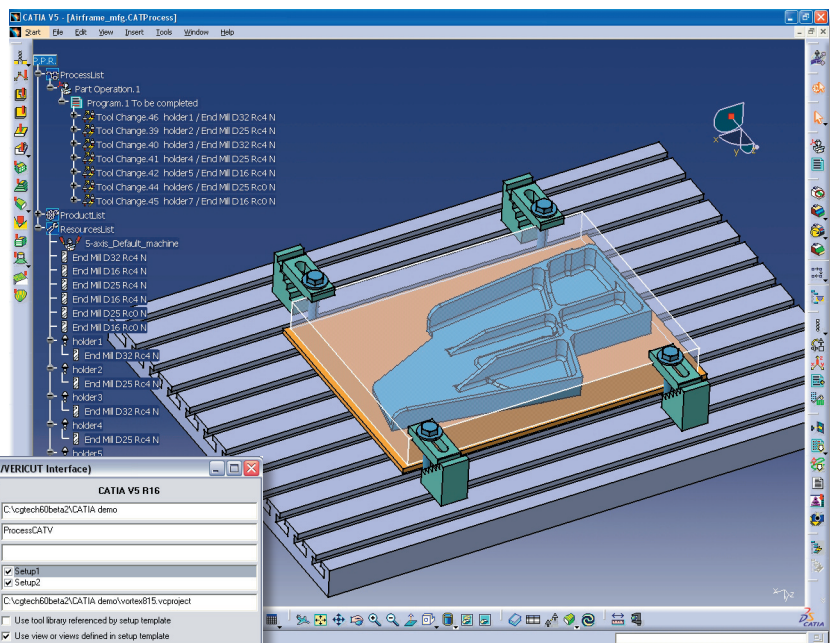
Following CATV™, our successful VERICUT interface for CATIA V4, the CATIA V5-to-VERICUT Interface provides a smooth upgrade path for CATIA users who have transitioned to CATIA V5.

The CATIA V5-to-VERICUT Interface tightly integrates the two programs to help you create the most accurate and efficient NC programs possible! It makes simulating, verifying, and optimizing your CNC machining processes faster and easier than ever before!

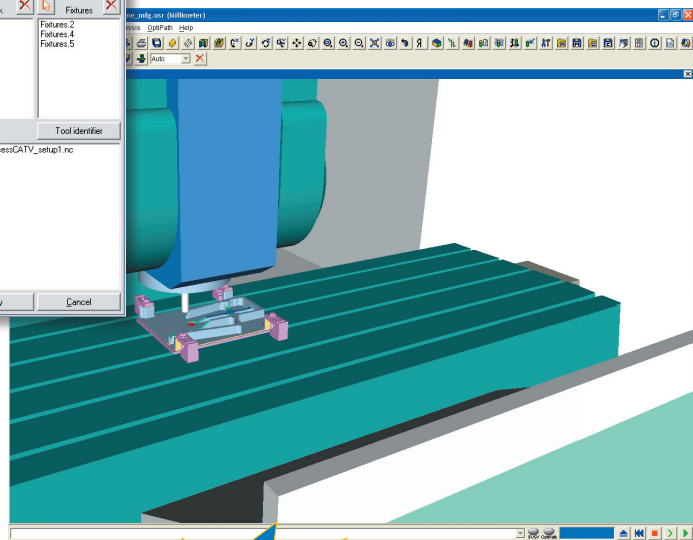
The interface enables you to start VERICUT directly from CATIA. All stock, fixture, and design geometry is automatically transferred to VERICUT in the correct orientation, along with NC program, tooling, machine and control data, and other simulation parameters. The interface supports VERICUT's multiple setup functionality and, by using coordinate systems, models are properly positioned on the machine for each setup.

VERICUT runs independently of the CATIA process, so you can work simultaneously in the two programs.

With VERICUT as your simulation package, you can even verify and optimize NC programs from other CAM systems in CL or post-processed G-code format. Additionally, you can choose to verify individual operations, a series of operations, or a set of complete NC programs.



*The CATIA V5-to-VERICUT interface starts VERICUT directly from within CATIA and automatically transfers all your settings!*



**Multi-axis Verification  
NC Program Optimization  
Powerful Analysis Tools  
G-code Support**

## CGTech

9000 Research Dr.  
Irvine, California 92618  
Phone: (949) 753-1050  
FAX: (949) 753-1053  
E-mail: info@cgtech.com



CGTech has been a CAA partner since 1991.

CGTech, OptiPath, & VERICUT are registered trademarks of CGTech. AUTO-DIFF is a trademark of CGTech. 6/06

# VERICUT®

# CGTECH.com